

OMNI Egg Brilliant

Robert Strickland 4/2/98

USFG Newsletter, Vol 8, No 1, Apr 98, Pg 21

Angles for R.I. = 1.540

71 + 16 girdles = 87 facets

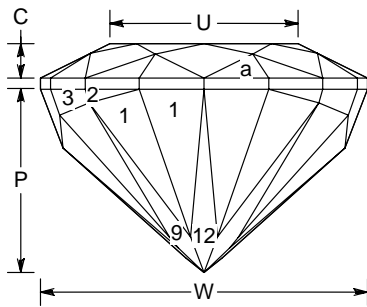
1-fold, mirror-image symmetry

96 index

L/W = 1.241 T/W = 0.740 U/W = 0.576

P/W = 0.562 C/W = 0.106

Vol./W³ = 0.306



PAVILION

1	43.00°	03-07-13-17- 26-33-41-46- 50-55-63-70- 79-83-89-93
g1	90.00°	03-93
g2	90.00°	09-87
g3	90.00°	15-81
g4	90.00°	22-74
g5	90.00°	27-69
g6	90.00°	31-65
g7	90.00°	36-60
g8	90.00°	43-53
2	65.46°	09-87
3	66.57°	15-81
4	68.76°	22-74
5	70.00°	27-69
6	69.85°	31-65
7	68.38°	36-60
8	65.81°	43-53
9	41.94°	10-86
10	41.36°	37-59
11	41.07°	21-75
12	41.98°	96
13	42.29°	48

CROWN

a	32.10°	03-93
b	31.83°	09-87
c	30.91°	15-81
d	30.88°	22-74
e	32.63°	27-69
f	30.17°	31-65
g	29.09°	36-60
h	25.90°	43-53
i	20.23°	48
j	24.83°	33-63
k	26.49°	24-72
l	25.98°	12-84
m	26.27°	96
n	15.34°	06-90
o	14.31°	19-77
p	14.45°	29-67
q	11.50°	39-57
t	0.00°	Table

Step 1 thru G8 form an OMNI preform. The false girdle line of this preform will not be Level.

C:\0-USFG\OMNI Egg Brilliant.gem