

Heart of Nines

by Robert W. Strickland 1/19/95

Texas Faceters Guild Newsletter, Jan 95, vol.16, no. 1, p. 18.

2007 NAFC "B" Stone

Angles for R.I. = 1.540

80 + 17 girdles = 97 facets

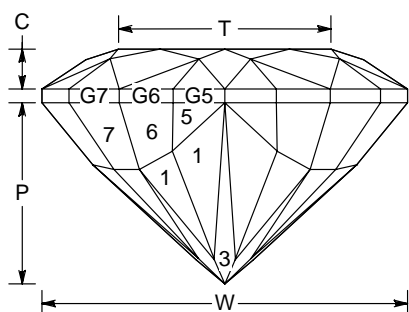
1-fold, mirror-image symmetry

96 index

L/W = 1.003 T/W = 0.581 U/W = 0.575

P/W = 0.494 C/W = 0.109

Vol./W³ = 0.220



PAVILION

1	42.50°	02-08-13-24- 30-34-40-45- 51-56-62-66- 72-83-88-94
2	42.85°	19-77
3	41.60°	16-48-80
4	41.40°	05-37-59-91
4a	41.42°	27-69
5	68.50°	38-58
6	70.80°	36-60
7	70.40°	34-62
8	64.60°	31-65
9	50.60°	24-72
10	44.30°	17-79
11	58.40°	96
12	56.10°	04-92
13	51.50°	10-86
G5	90.00°	38-58
G6	90.00°	36-60
G7	90.00°	34-62
G8	90.00°	31-65
G9	90.00°	24-72
G10	90.00°	17-79
G11	90.00°	96
G12	90.00°	04-92
G13	90.00°	10-86

CROWN

A	38.40°	38-58
B	38.30°	36-60
C	37.80°	34-62
D	36.10°	31-65
E	33.60°	24-72
F	29.79°	17-79
G	28.60°	10-86
H	32.00°	04-92
I	34.20°	96
J	29.80°	02-94
K	25.10°	13-83
L	29.10°	28-68
M	35.00°	35-61
N	23.89°	48
O	16.80°	39-57
P	20.90°	32-64
S	24.97°	96
R	16.39°	07-89
Q	14.30°	21-75
Table	0.00°	Table

Stone to be cut from Natural Amethyst

Width to be 8 - 12 mm

Girdle to be 0.3 mm +/- 0.1mm

C:\0-USFG\2007 NAFC\Published Materials\2007B.gem