

**SHINING BEAUTY**

96 Index Gear

Angles for RI=1.7+

Crown:	Angle	Indices
1.	2 at 51.60°	96,48.
2.	4 at 37.16°	8,40,56,88.
3.	4 at 44.65°	16,32,64,80.
4.	2 at 34.57°	24,72.
5.	4 at 35.00°	4,44,52,92.
6.	4 at 35.00°	12,36,60,84.
7.	4 at 33.75°	20,28,68,76.
8.	2 at 14.02°	96,48.
9.	4 at 19.81°	16,32,64,80.
10.	6 at 10.00°	96,16,32,48,64,80.

LW = 1.3146

Table Area = 30.6 %

T/W = .50

C/W = .1532

P/W = .5695

H/W = .7427

A/W = .5980

B/W = .1740

F/W = .4150

G/W = .1071

D1/W = 1.192

D2/W = 1.1651

Suggested Crown Sequence:  
Use a steep angle (like 55°)  
to make an even girdle line  
around the crown. Then cut  
2, 5, 6, 7, 8, 9. The rest  
follow easily. FVS.

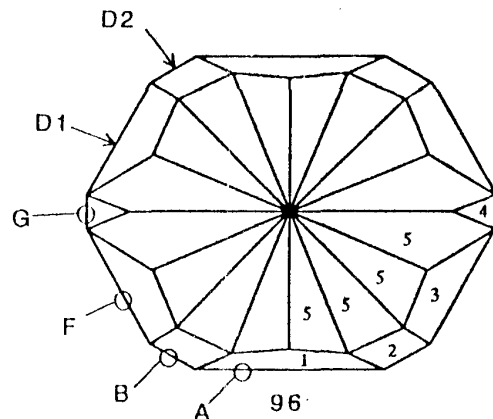
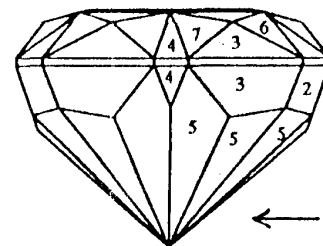
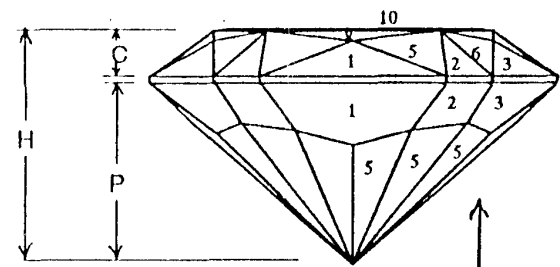
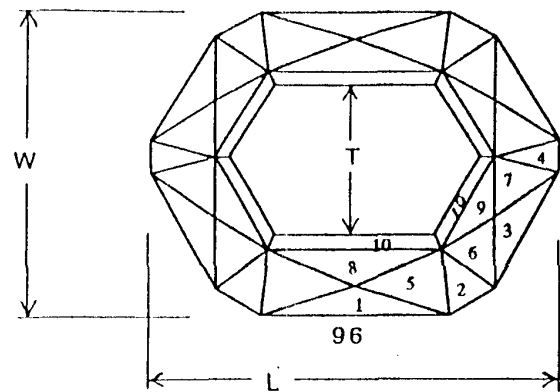
(A,B,F,G, are the lengths of the girdle facets.

D1 and D2 are the diagonal distances across the stone when caliper faces are flush against the girdle facet pointed to and its opposite.)

CAM Preform:	Indices
1.	2 at 40.45° 96,48.
2.	4 at 36.20° 8,40,56,88.
3.	4 at 35.57° 16,32,64,80.
4.	2 at 32.97° 24,72.
maximum cone = 32°	

Pavillon:	Indices
1.	2 at 71.76° 96,48.
2.	4 at 56.99° 8,40,56,88.
3.	4 at 53.00° 16,32,64,80.
4.	2 at 42.50° 24,72.
5.	16 at 41.00° 3,9,15,21,27,33, 39,45,51,57,63, 69,75,81,87,93.

Designed by Ralph Mathewson Computed by Fred Van Sant



**ADVANCED DESIGN FOR USFG'S YEAR 2001 SINGLE STONE COMPETITION.**